

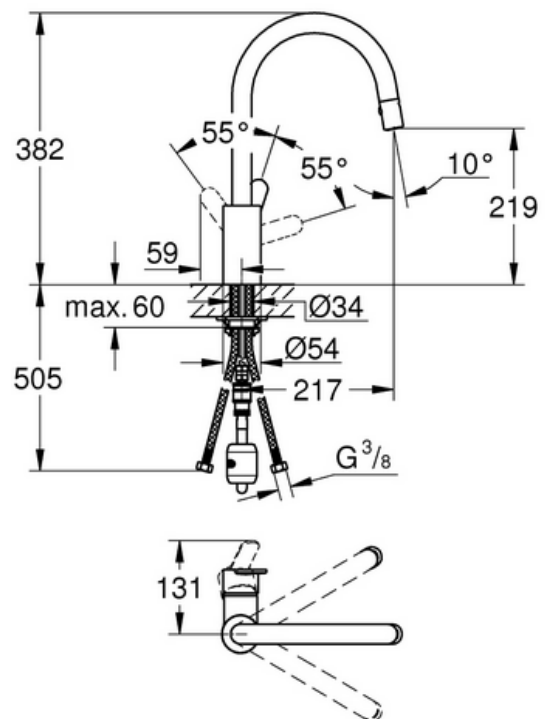


PROJECT		REF		REV	ITEM CODE	
LOCATION		DATE			PAGE	

## SANITARY WARE SPECIFICATION SHEET

Item Descriptions	GROHE (Germany) "Eurostyle Cosmopolitan" Chrome plated 1/2" Single-lever sink mixer with pull-out laminar spray; nominated flow rate <b>4.9 L/min</b> in WELS <b>Grade 1</b> ; Registration No. TM 18-0178
Dimensions	L217 x W131 x H382 mm
Model	31482002
Finish / Material	Chrome Plated
Country of origin	Germany
Manufacturer	GROHE Limited
Supplier	Acme Sanitary Ware Co. Ltd Mr. Eric Wong/ Mr. Don Yuen
Contact Tel/Fax	(852) 2388-7171 / (852) 2710-8012
E-mail	acme@acmesanitary.com.hk
Website	www.acmesanitary.com.hk

### Illustration/ Drawing



### "Eurostyle Cosmopolitan " 1/2" Single-lever sink mixer

- monobloc installation
- high spout
- **GROHE StarLight** finish
- **GROHE SilkMove** 35 mm ceramic cartridge
- flow strainer
- pull-out laminar spray
- diverter: laminar spray/**SpeedClean** shower jet
- automatic return to laminar spray
- adjustable flow rate limiter
- swivel tubular spout
- swivel area 360°
- protected against backflow
- flexible connection hoses
- rapid installation system

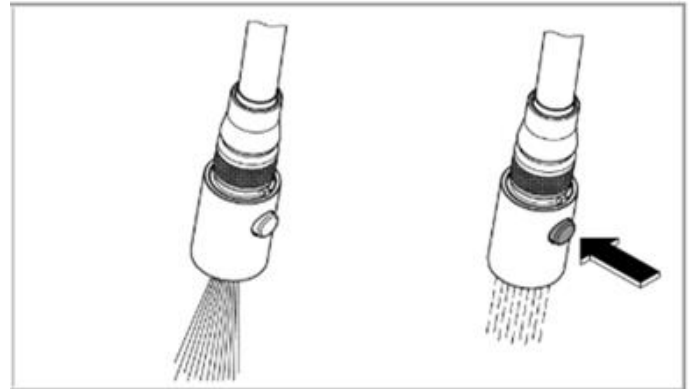
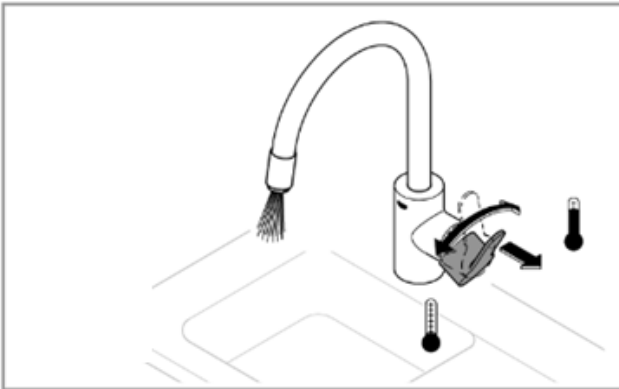
Note:

\* All information of the above is for the reference only. No prior notice is made if any changes.

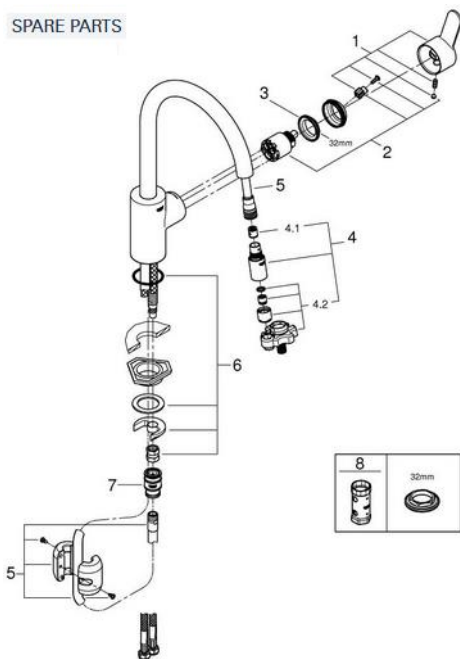


PROJECT		REF		REV	ITEM CODE	
LOCATION		DATE			PAGE	

## SANITARY WARE SPECIFICATION SHEET



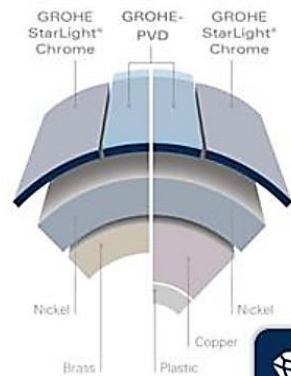
### SPARE PARTS



Pos.-nr.	Prod. description	Order-nr.
1	Lever	46750000
2	Cartridge	46374000
3	Screw coupling	46460000
4	Pull out spray	46857000
4.1	Non-return valve	08565000
4.2	Flow straightener	13997000
5	Shower hose	48293000
6	Shank fastening assembly	46346000
7	Coupling piece	46338000
8	Socket spanner	19332000*

\* Optional accessories

### GROHE StarLight®



GROHE surface hardness



GROHE scratch resistance



Note:

\* All information of the above is for the reference only. No prior notice is made if any changes.

註冊號碼 (Registration No.): TM 18-0178




自願參與用水效益標籤計劃 - 水龍頭  
Voluntary Water Efficiency Labelling Scheme - Water Taps



茲證明  
This is to certify that

將下列水龍頭在本計劃內註冊：  
has registered the following water tap under this scheme :

牌子 / Brand	:	GROHE
型號 / Model	:	31482XX2 + 44.3051.000
種類 / Type	:	Mixing
原產地 / Country or Region Origin	:	Portugal

在用水效益標籤上展示的標誌 <i>Symbolic Presentation on the Water Efficiency Label</i>	:		滴水點 <i>Water droplet(s)</i>
用水效益級別 <i>Water Efficiency Grade</i>	:	1	
耗水量 <i>Water Consumption</i>	:	4.9	公升/分鐘 <i>litres/minute</i>

簽發日期: 13 July 2018  
Date of Issue:

 水務署  
Water Supplies Department



水務署署長(周世威代行)  
for Director of Water Supplies



水務

W&

香港

Immig.

電子郵遞

e-mail

圖文傳真

Facsimile

檔 號

Reference



oad, Hong Kong

wsdinfo@wsd.gov.hk

2824 0578

(6) in WSD 3321/18 Pt.1 T/J(122)

31 May 2018



### Approval of "GROHE" Sink Mixer

Your letter ref. WRC/1579 dated 1 February 2018 and subsequent submission received by this department on 17 May 2018 refer.

Having considered the test report ref. J21898Ar1 issued on 23 April 2018 by Nutek Systems (HK) Ltd., this Authority accepts that the fitting described below complies with, and its use when correctly installed does not contravene, the Waterworks Ordinance and Regulations.

**Name of Manufacturer:** Grohe AG

**Country of Origin:** Portugal

**Brand:** Grohe

**Details of Fitting:** 3/8" Single lever sink mixer supplied with:  
1) 1 no of 407500040 plastic fabric hose (tested by Nutek Systems (HK) Limited under ref. J21700)  
2) 2 nos of Neoperl GmbH – Neoflex SPX DN6 G3/8" flexible connection hoses approved by UK's WRAS under certificate no. 1506306

**Model:** 31482XX2  
(where the digits "XX" denote the code of colour)

**Body Markings:** 

**Expiry Date:** 11 September 2022 (for mixer + hose (1))  
30 June 2020 (for hose (2))

This Authority hereby permits the use of the above fitting in fresh water plumbing systems subject to full adherence to Waterworks installation requirements. In particular, you are required to draw your customers' attention to the following requirement-

"The cold water supply to the fitting shall be drawn from the same source that supplies the hot water apparatus so as to provide a balanced pressure and to obviate the risk of scalding in the event of a restriction or failure in the water supply."

A condition of this acceptance is that the fitting to be installed shall be replicas of the sample as certified by the testing agent mentioned above and without modifications. This acceptance may be withdrawn at any time if the standard of the fitting installed fails to meet that of the approved sample or if the fitting is found to be unsuitable for use in fresh water plumbing systems.

This acceptance is only applicable to the main body of the fitting, unless other specified.

For the use of the fitting in any project, the Acceptance Reference Number at the bottom of this letter must be quoted as a means of identification of acceptance of the fitting by this Authority.

Should you have any enquiries, please contact our Engineer Mr. Terry KUNG at tel. no. 3583 4086.

Yours faithfully,

  
(CHAN Chung Kun)  
for Water Authority

c.c. WSD 3321/1/82 ] - without catalogue  
ME/MC ] - with soft copy only